

# APPROVAL SHEET

Customer	
Description	Car Plug
P/N	CLA5125
Output V/A	5VDC@1.25A
Date	2/9/2009
REV	01
Approval No.	

## Authorized Signatures

--	--	--

**Approved By: Steven Lu    Checked By: Mike Chen    Prepared By: Judy Liu**

**NS POWER CO. , LTD.**

**Factory: No.211 Yanbei Road Wuyuan Town Haiyan County**

**Http:// [www.nspowerinc.com](http://www.nspowerinc.com)**

**Tel : +1-800-670-0225**

**Fax : +1-866-430-6114**

## 6.25W DC TO DC ADAPTER

### 1. Description

This product is a DC to DC power device, it can provide for a 6.25W DC Output power with constant voltage sources.

### 2. Input requirements

#### 2-1 Line regulation

Input VDC From 10-30VDC output Load at Full Load, alls output shall be stay in Regulation.

#### 2-2 Input Current

The input voltage at 12VDC full load. Input current 1.0A max.

### 3. Output requirements

The input 10-30VDC, output power at full load, alls output Voltage shall be stay in regulation

#### 3-1 Static load

Output Voltage	LOAD		Tolerance	Ripple & Noise
	Min.	Max.		
5.0VDC	0A	1.25A	4.90-5.25VDC	200mV Max

#### 3-2 Efficiency

70% Min. at full load, nominal line, measured after minutes full load Burn-in.

### 4. Protection

#### 4-1 Over voltage protection:

The adapter shall limit the output voltage to less than 5.85VDC

#### 4-2 Over current protection:

1A replaceable fuse for protection against over-current

#### 4-3 Short circuit protection

Units shall be protected against a continuous short circuit over the operating temperature range. A continuous short circuit shall not produce any excessive heat, smoke, flash, or fire. The adaptor must operate normally after the short circuit load condition is removed.

### 5. Environmental conditions

#### 5-1 Operating specifications

The power supply shall be capable of operating continuously in any mode without performance deterioration in the following environmental conditions.

##### 5-1-1 Ambient Temperature

0-70°C

**5-1-2 Relative Humidity**

20%-90%RH

**5-1-3 Altitude**

Sea level to 100,000 feet

**5-1-4 Vibration**

1.0mm, 10-25Hz, 15 minutes per cycle for each axis(X,Y,Z)

**5-1-5 Cooling**

The power supply will operate with convection cooling. Blocking of any cooling Vents shall not cause damage or failure of the power supply.

**5-2 Non-Operating Specifications**

The power supply shall be capable of withstanding the following environmental Conditions extended periods of time, without sustaining electrical or mechanical Damage and subsequent operational deficiencies.

**5-2-1 Ambient Temperature**

-40~80°C

**5-2-2 Relative Humidity**

5%~95%

**5-2-3 Altitude**

Sea level to 10,000 feet

**5-2-4 Vibration and shock**

The power supply shall be designed to withstand normal transportation vibration per MIL-STD-810D, method 514 and procedures X, as it is mounted in the chassis Assembly and packed for shipping.

**6. Mechanical Specification and Requirements****6-1 Material**

Material shall be consistent with approved samples. The material of Case shall be PC (or equivalent) and flame retardant according to UL94-V0

**6-2 Dimensions**

The unit not including cable, and Case dimensions is 63.5 x 36 x 26.3 mm.

**6-3 Output Connector**

The output cable shall be terminated with a mini USB-connector.

**6-4 Output Cord**

The length of the cord shall be 1.75m ± 0.15m

## **7. Reliability and Quality Control**

### **7-1 Burn-In**

100% burn-in at full loading the power supply will be performed a minimum for 4 hours.

Burn-in at 40°C ±5°C under full load on all adaptors calculates MTBF.

### **7-2 Vibration Test**

Non-operation vibration with shipping container shall be 2G's, 5-50Hz, 50-500Hz, after test now abnormally to be noted. Operation vibration shall be 1.5G's peak, 10-50Hz, 3 planes. After test no abnormally to be noted.

### **7-3 Component Derating**

Semiconductor junction temperatures shall not exceed the manufactures maximum thermal rating.

## **8. International Standards**

### **8-1 EMI Standards**

**12VDC; Full load, the adapter internal filter to meet ( FCC Class B CISPR22 Class B)**

## **9. Safety Standards**

### **Certified Standard**

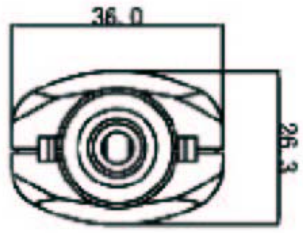
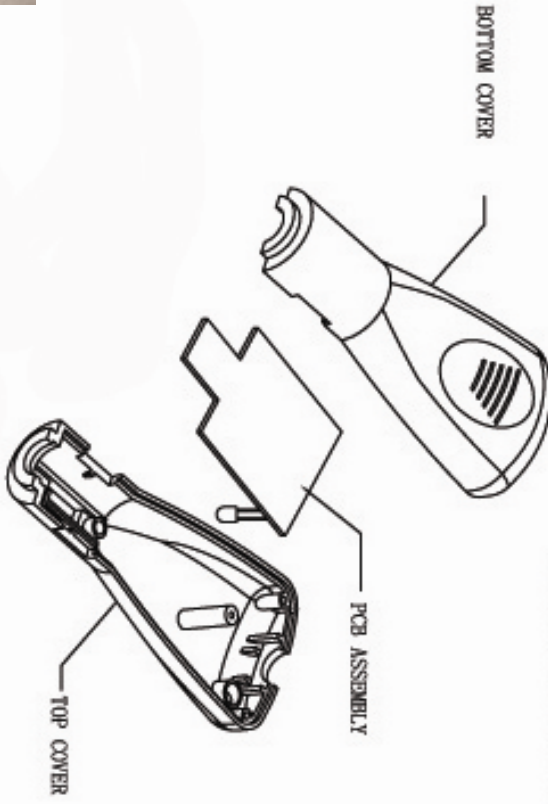
- 1. CE**
- 2. E-Mark**
- 3. FCC**
- 4. UL/cUL**
- 5. Australia**
- 6. ISO 7637**

## **10. Weight**

- S.W. 0.1Kg per piece**
- N.W. 6Kg per carton**
- G.W. 6Kg per carton**

版本	版次
01	

NOTE:  
1) GENERAL TOLERANCE  $\pm 0.1$



## NS POWER INC. (China factory)

说明	General Notes	机型	Model		
		材质	Material		
		处理	Treatment		
制图	Drawn	江小琴	08.10.20	单位	Unit
审核	Checked			比例	Scale
核准	Approved			投影	Projected
					mm
					1:1